

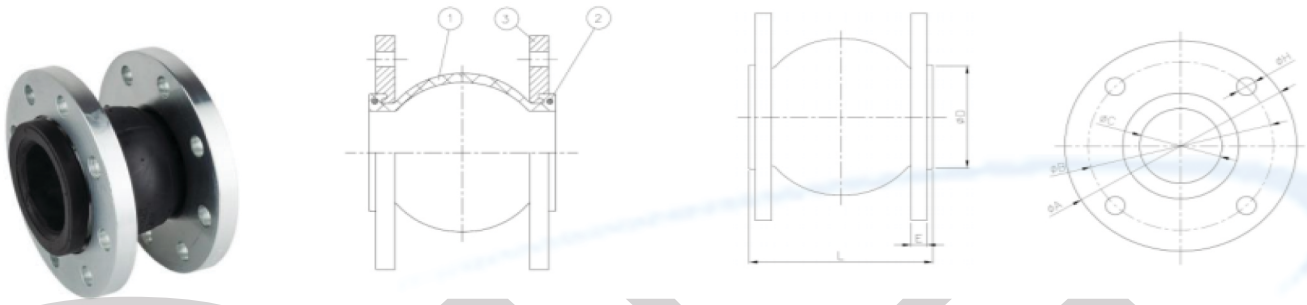
Antivibratorio Bridado Serie 150

Características

1. Junta de expansión.
2. Reducción de Ruidos.
3. Absorción de Vibraciones.
4. Compensación de dilataciones.
5. Facil instalación.
6. Cuerpo de EPDM, Extremos acero carbono.
7. Extremos para montar entre bridas ANSI 150 B 16.5.
8. Presión de trabajo máxima:
16 bar (medidas 1 1/4" a 12")
10 bar (medidas 14" a 20")
9. Temperatura de Trabajo - 10 °C + 105 °C.
10. Presión de Ruptura 30 bar.
11. Depresión máxima (vacío) 400 mbar.

Features

1. Expansion Joint.
2. Reduction of Noise.
3. Absortion of vibration.
4. Allows axial and lateral movement.
5. Easy to install.
6. Body made of EPDM, Ends of carbon steel.
7. Ends connecting with flanges ANSI 150 B 16.5.
8. Maximum working pressure:
16 bar (sizes 1 1/4" to 12")
10 bar (sizes 14" to 20")
9. Working temperature - 10 °C + 105 °C.
10. Burst Pressure 30 bar.
11. Max. Working Vacuum 400 mbar.



| Nº | Denominación / Name | Material | Acabado Superficial / Surface Treatment |
|----|---------------------|------------------------------|---|
| 1 | Cuerpo / Body | EPDM + Nylon | ----- |
| 2 | Aro / Ring | Acero Carbono / Carbon steel | Cincado / Zinc plated. |
| 3 | Brida / Flange | Acero Carbono / Carbon steel | Cincado / Zinc plated. |

DIMENSIONES GENERALES / GENERAL DIMENSIONS

| Ref | Medida / Size | DN | PN | Dimensiones / Dimensions (mm) | | | | | | | Peso / Weight (Kg) |
|----------|---------------|-----|----|-------------------------------|-------|-----|-----|-----------|-----|----|--------------------|
| | | | | ØA | ØB | ØC | ØD | n x ØH | L | E | |
| 2831A 07 | 1 1/4" | 32 | 16 | 117.5 | 88.9 | 32 | 69 | 4 x 16 | 95 | 16 | 2.46 |
| 2831A 08 | 1 1/2" | 40 | 16 | 127 | 98.4 | 40 | 69 | 4 x 16 | 95 | 16 | 2.80 |
| 2831A 09 | 2" | 50 | 16 | 152.4 | 120.6 | 52 | 86 | 4 x 19 | 105 | 16 | 3.90 |
| 2831A 10 | 2 1/2" | 65 | 16 | 177.8 | 139.7 | 68 | 106 | 4 x 19 | 115 | 16 | 4.77 |
| 2831A 11 | 3" | 80 | 16 | 190.5 | 152.4 | 76 | 126 | 4 x 19 | 130 | 18 | 5.92 |
| 2831A 12 | 4" | 100 | 16 | 228.6 | 190.5 | 103 | 150 | 8 x 19 | 135 | 18 | 7.26 |
| 2831A 13 | 5" | 125 | 16 | 254 | 215.9 | 128 | 180 | 8 x 22 | 170 | 20 | 9.20 |
| 2831A 14 | 6" | 150 | 16 | 279.4 | 241.3 | 152 | 209 | 8 x 22 | 180 | 22 | 11.78 |
| 2831A 16 | 8" | 200 | 16 | 342.9 | 298.5 | 194 | 260 | 8 x 22 | 200 | 22 | 17.40 |
| 2831A 18 | 10" | 250 | 16 | 406.4 | 361.9 | 250 | 320 | 12 x 25.4 | 240 | 24 | 24.76 |
| 2831A 20 | 12" | 300 | 16 | 482.6 | 431.8 | 300 | 367 | 12 x 25.4 | 260 | 24 | 33.70 |
| 2831A 22 | 14" | 350 | 10 | 533.4 | 476.2 | 320 | 408 | 12 x 28.6 | 265 | 26 | 45.90 |
| 2831A 24 | 16" | 400 | 10 | 596.9 | 539.7 | 372 | 472 | 16 x 28.6 | 265 | 26 | 53.00 |
| 2831A 26 | 18" | 450 | 10 | 635 | 577.8 | 415 | 522 | 16 x 31.7 | 265 | 26 | 55.42 |
| 2831A 28 | 20" | 500 | 10 | 698.5 | 635 | 454 | 570 | 20 x 31.7 | 265 | 28 | 68.80 |